

Construction

Casing: Heavy duty 1.8 mm galvanized steel

Access Doors: Fully hinged access doors to access both filter section and the fan blower assembly

Finish: Epoxy powder coated unit standard RAL Color

Filter

HEPA filter, with a minimum efficiency of 99.99% @ 0.3 micron Disposable pre filter to remove the dust particles upstream.

MCU 900 supplied with differential pressure switch connected to an indicator lamp in the front of the panel.

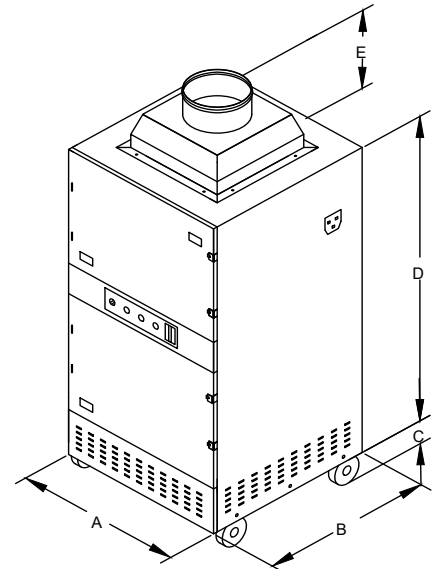


Motor/Blower Assembly

Direct drive, continuous duty fan
0.55 Kw, Class F insulation, IP44
Protection Amps: 4.23.

Performance tested according to
AMCA 210 & AMCA 310 Standard.

Model		MCU 900
Dimension (mm)	A	658
	B	623
	C	70
	D	1150
	E	270
Airflow CFM	Low	500 ±5%
	Medium	700 ±5%
	High	900 ±5%
Power Requirements		@230 V 50 Hz
Net Weight		97 Kg



ENERGY
INDUSTRIAL COMPANY

We care for your needs | ISO 9001:2015, ISO 14001:2015 & ISO 45001:2018 Certified |

P.O. Box 24021, Sharjah, United Arab Emirates T: 06-5343488 F: 06-5343710 E: energyco@energyind.ae www.energyintl.com

Energy International Corporation

Authorized Distributor of Medi-Clean Products.

T: 971-2-671-1108 F: 971-2-676-9669 P.O. BOX 45217

Abu Dhabi, UAE

E-Mail- infoauh@energyintl.com